

I²R[®] 3-Phase Wye

230 Vac, MOV, DIN rail surge protector with annunciation



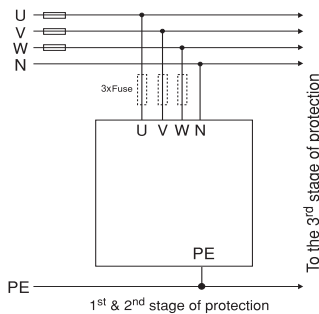
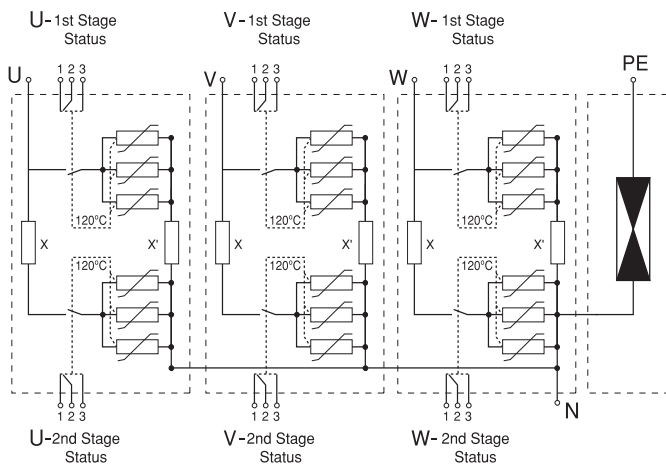
LSA230W
1102-014-37

International AC DIN rail mount hardwire lightning arrester for Class I and Class II applications.

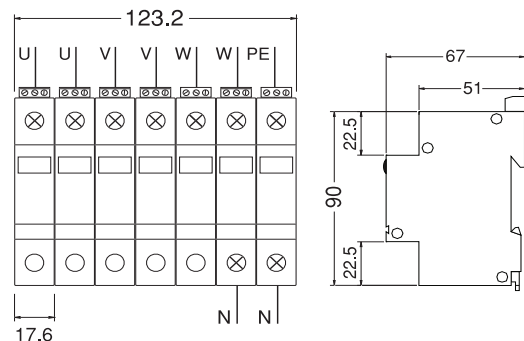
Features

- Meets Class I/Class II levels per IEC 61643-1, IEC 664/IEC 529
- Hybrid configuration using rugged MOV and inductive impedance elements
- Common mode - Spark Gaps eliminate possible leakage current
- Internal disconnectors remove circuit in event of failure or fault
- Annunciation - front visual indication lever
- Remote NO-C-NC dry contact points
- CE compliant

Basic Circuit Diagram



Recommended Wiring



I ² R [®]	Abbreviations	Mode	I ² R LSA230W-150/20
Part Number #			1102-014-37

Performance

Testing to			IEC 61643-1
Arrester class acc. to IEC 61434-1			I + II
Nominal Voltage (50/60 Hz)	U _N		400/230 V
Maximum continuous operating voltage	U _C		550/320 V
Maximum discharge current at wave shape I _{max} (8/20)	I _{max}	L/N N/PE	150 kA 80 kA
Nominal discharge current at wave shape I _n (8/20)	I _n	L/N N/PE	80 kA
Voltage Protection Level at I _n	U _P	L/N N/PE	<1.7 kV
Maximum Lightning Current I _{imp} (10/350)	I _{imp}	L/N N/PE	20 kA
Charge	Q		10 As
Specific Energy	W/R		100 kJ/Ω
Voltage Protection Level at I _{imp}	U _P	L/N	<1.7 kV
Response Time	t _a	L/N N/PE	<25 ns <100 ns
Recommended back-up fuse			315 AgL/gG
Short-circuit withstand capability	I _p		80 kA _{ef}
Recommended cross-section of connecting conductors			25 mm ² (solid) 16 mm ² (flexible)
Protection type acc. to CSN EN 60529			IP 20
Environment acc. to CSN EN 60529			basic

Mechanical

Mounting on			DIN rail 35 mm
Housing's material			FRNC-UL94VO Flame Rating
Dimensions - H x W x D			3.5" x 4.8" x 2.6" 90 cm x 123 cm x 67 cm
Weight	m		1.7 lbs 780 g

Environmental

Operation temperature range	θ		-40 to +80° C
-----------------------------	---	--	---------------

SIDCO
info@sidco.com.au
sidco.com.au
1300 133 897
PO Box 23, Werribee 3030