

Data / Signal Surge Protection

ALPU PTP-M Kit

1453-051 RevA



ALPU-PTP-M Kit
1101-971

ALPU PTP-M Protection Kit is ideal for 1000 Base T Gigabit Ethernet protection for Point to Point wireless solutions. The kit contains two ALPU protection units (1101-959) utilizing silicon avalanche diode technology as well the necessary mounting hardware and cabling assemblies to provide complete protection from lightning generated transients. Each kit includes:

- (2) ALPU PTP-M Gigabit Ethernet protection units with RJ-45 connections
- (2) 3/16" mounting U bolts and hardware
- (2) Cat 5e cable assemblies (3') with RJ-45 connectors on each end
- (2) #6 AWG grounding cable (3') assemblies

Features

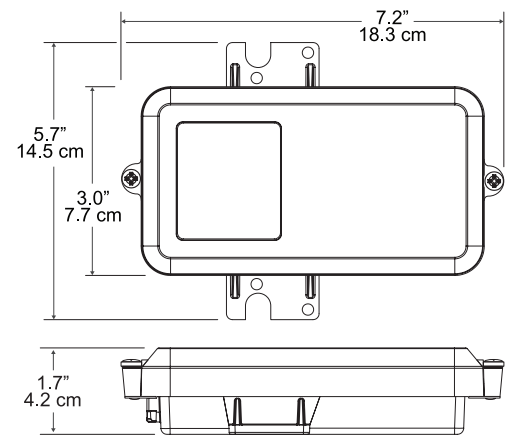
- Silicon avalanche diode technology
- RJ-45 protection circuits for GigE data
- Outdoor installation
- Outdoor qualified NEMA 3R type enclosures with easy mounting flanges for pole or wall mounting
- Built-in cable retention

Options

- Pole Mounting Kit available 1000-1164

Standards

- NEC 800.100 and 830.100
- GR-1089-2006
- IEEE 802.3af
- RoHS compliant
- CE compliant



Model	ALPU-PTP-M Kit
Kit Part Number	1101-971

Performance

Maximum Continuous Operating Voltage	92 V _{peak}
Data Rate	1000 Mb/s
Pins Protected	(1,2) (3,6) (4,5) (7,8) pass through
Connector	RJ-45 Cat 5e shielded 100Ω
Impedance	85 to 115Ω
Surge Suppression	134 V _{peak} @ 100 A, 10/1000μs

Mechanical

Dimensions - H x W x D	7.2" x 5.7" x 1.7", 18.3 cm x 14.5 cm x 4.2 cm
Weight (max) lb, kg	0.8, 0.36

Environmental

Relative Humidity	95% non-condensing
Operating Temperature	-40°C to +70°C