

Data/Signal Protection

ALPU 1000BT-R



ALPU 1000BT-R
1101-778-2

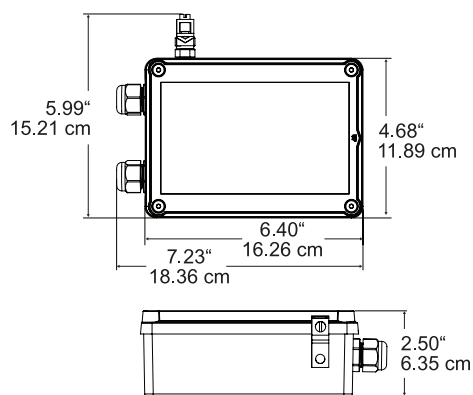
Outdoor Cat5, 55 Vdc, GbE power over Ethernet protector, supports point-to-point and point-to-multi-point radios

Features

- Non degrading, quick response, silicon diode technology
- Line and load bidirectional protection
- Supports MIMO/OFDM radios
- Takes protected equipment offline during extraordinary surge events
- External ground lug
- Motorola R-56 approved

Options

- Pole mount kit (Part Number 1000-1164)



Performance

Data Rate	1000 Mb/s
Operating Voltage	55 Vdc on all wires
Maximum Continuous Operating Voltage	Pins (1,2) (3,6) 94 V Pins (4,5) (7,8) 99 V
Maximum Continuous Current	1A
Connector	RJ-45
Pins Protected	8 wires protected L-L, L-G
Peak Current 10/1000 μs	120 A
Response Time	<5 nanoseconds

Mechanical

Dimensions HxWxD (in)	7.2" x 5.8" x 2.7"
Dimensions HxWxD (cm)	18.3 cm x 14.7 cm x 6.9 cm
Maximum Weight (lbs)	1.6
Maximum Weight (kg)	0.7

Environmental

Enclosure Rating	NEMA 3R/UL 94-5V
Operating Temperature	-40°C to +80°C
Humidity	100% non condensing